



PRIME INDUSTRIAL PRODUCTS INC.

SPECIFICATION
PME 90
 SUPER QUIET EXHAUST FAN

90 CFM / 0.8 SONES @ 0.1 WG.
HVI CERTIFIED 120 VOLTS, 0.24 AMPS, 60 Hz

PRODUCT DETAILS

Fan Housing

The Housing is constructed of rust resisting powder coated premium cold roller steel with a standard sized 4" diameter duct collar. The fan is shipped complete with an installation manual.

Motor

Enclosed 4 pole electronically balanced permanently spilt capacitor motor (PSC); Life time lubricated ball bearing suitable for continuous operation, rated, 120 V, 60Hz, 0.24 Amp. Requires NO maintenance.

Blower wheel

Special design heavy duty ABS sirocco blower, dynamically and statically balanced, The exclusive wheel design allows for efficient cooling for the motor, providing long operation life.

Interchangeable Blower and Motor

The standard size of all models PME series housing will allow the enduser to change the fan capacity in the field simply by changing fan blower assembly.

Unit Mounting

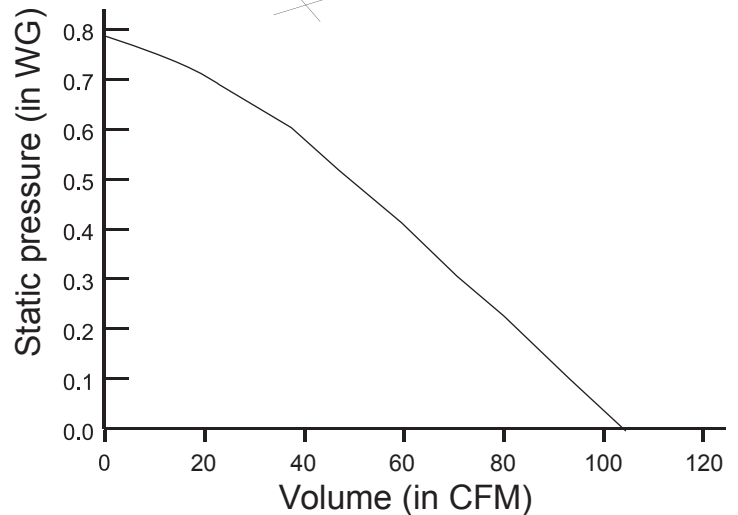
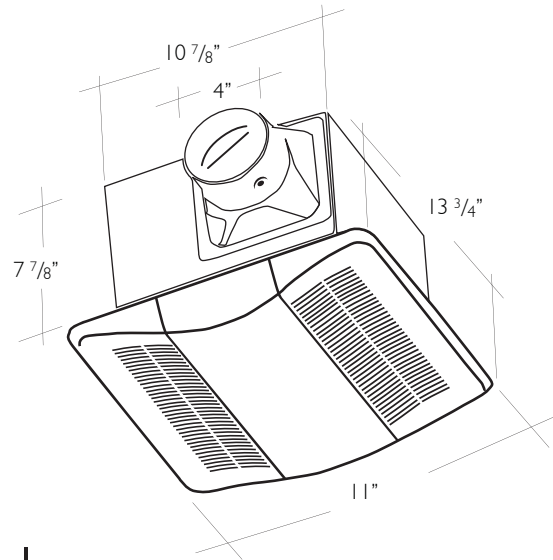
The Fan housing requires at least 8 inches of vertical clearance and through dry wall thickness up to 3/4", with a rough opening of 10-1/2" x 10-1/2". Rated for ceilings insulated to R40, The housing will mount either between 16" to 24" centre joists, using the 4 supplied housing mounting rails.

Grill

White, polymeric paintable grille secured in place with torsion springs; easily removed if necessary.

Optional Grill Light

The exclusive light may be added after installation, Simply remove the non lighted grill and replace with the light fixture grill plug in the provided receptacle. The fixture is intended for CFL light bulbs (not supplied) and is available at any Prime dealer.



PERFORMANCE

Air Flow CFM	STATIC PRESSURE (Inches of Water gauge)						Sones	RPM	Watts
	0	0.1	0.15	0.2	0.25	0.3			
	105.0	93.0	84.0	82.0	78.0	73.0	0.8	722	28.4

PROJECT				ARCHITECT			
LOCATION				ENGINEER			
CONTRACTOR				SUMMITTED BY			DATE
FAN NUMBER	MODEL NUMBER	CFM	IN W.G.	RPM	WATT	SONES	OPTIONAL EQUIPMENT
REMARKS:							
REFERENCE:							



Prime Industrial Products Inc: 118 - 14273 Knox Way, Richmond, B.C. Canada. V6V 2Z4

Specification subjects to change without notice.