



PRIME INDUSTRIAL PRODUCTS INC.

SPECIFICATION

**PQ 50**

QUIET EXHAUST FAN

**50 CFM / 0.8 SONES @ 0.1 WG.**  
**HVI CERTIFIED 120 VOLTS, 0.23 AMPS, 60 Hz**

**PRODUCT DETAILS**

**Fan Housing**

Constructed from premium steel, powder coated to resist rusting, Supplied hanger rod mounting secures the housing to the structure. Comes with a Steel 4" Dia duct collar.

**Motor**

Enclosed 4 pole electronically balanced permanently split capacitor motor (PSC); Life time lubricated bearing suitable for continuous operation, Motor rated 120 V, 60 Hz, 0.23 Amps. Requires NO maintenance

**Blower wheel**

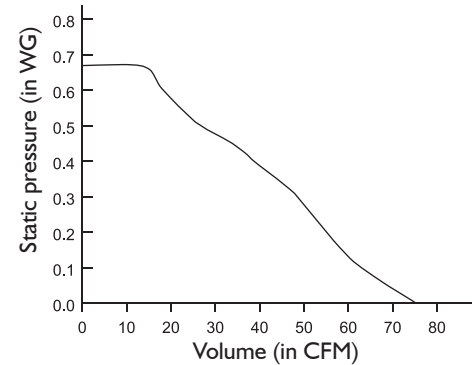
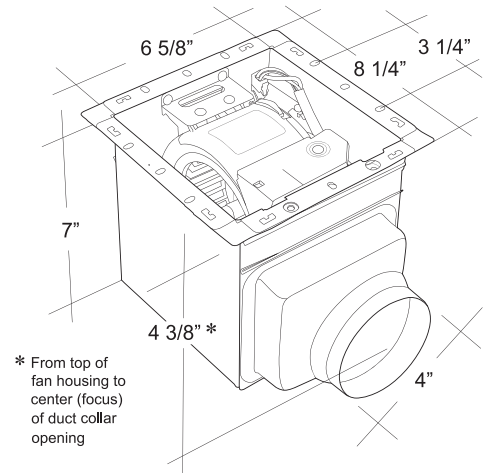
Compact PP light weight sirocco blower provide high performance and low noise operation.

**Unit Mounting**

The Fan housing requires at least 8 inches of vertical clearance and through dry wall thickness up to 3/4", with a rough opening of 6-5/8" x 8-1/2". Rated for ceilings insulated to R40, The housing will mount either between 16" to 24" centre joists, using the 4 supplied housing mounting rails.

**Grill**

White, polymeric grille secured in place with torsion springs; easily removed if necessary.



PERFORMANCE									
STATIC PRESSURE ( Inches of Water gauge)							Sones	RPM	Watts
Air Flow	0	0.1	0.15	0.2	0.25	0.3	0.8	1203	27.7
CFM	65.0	54.0	51.0	48.0	44.0	42.0			

<b>PROJECT</b>					<b>ARCHITECT</b>				
<b>LOCATION</b>					<b>ENGINEER</b>				
<b>CONTRACTOR</b>					<b>SUMMITTED BY</b>			<b>DATE</b>	
FAN NUMBER	MODEL NUMBER	CFM	IN W.G.	RPM	WATT	SONES	OPTIONAL EQUIPMENT		
<b>REMARKS:</b>									

**REFERENCE:**

